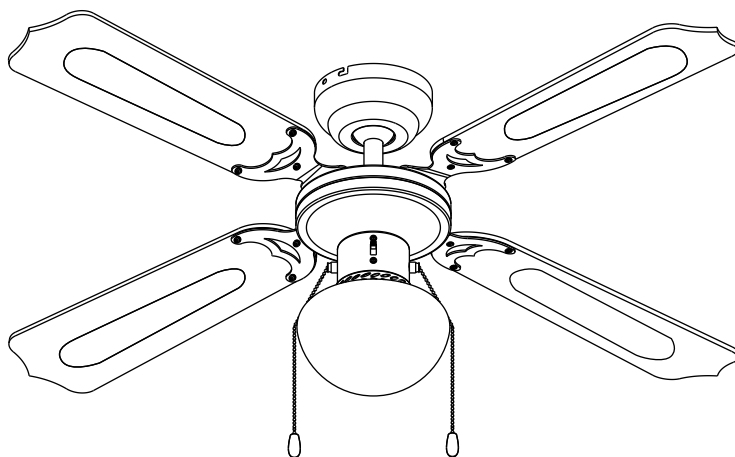


GLOBO

FAN

0309

www.globo-lighting.com

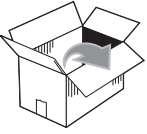


GLOBO Handels GmbH

St. Peter 38

A-9184 St.Jakob/Rosental

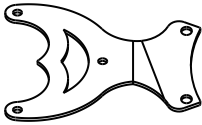




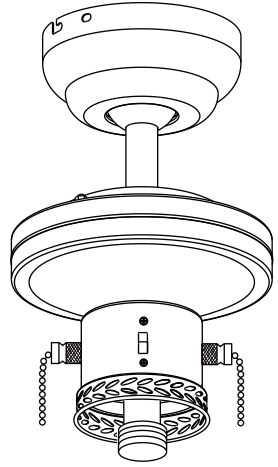
C x4



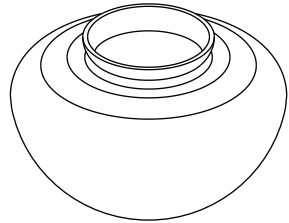
D x4



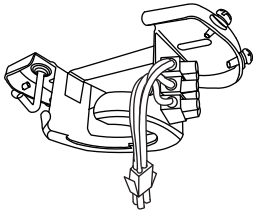
B



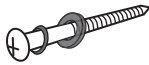
E



A



H



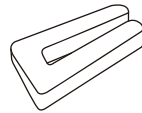
x2

N



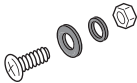
x4

M



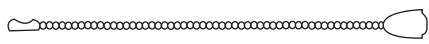
x1

F

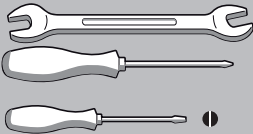
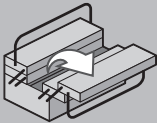


x12

G



x2



#8

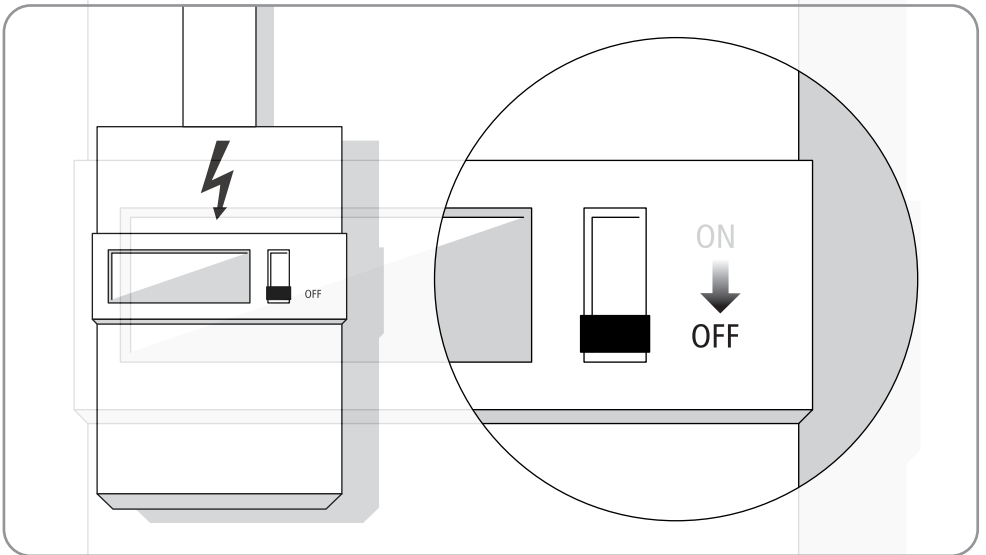
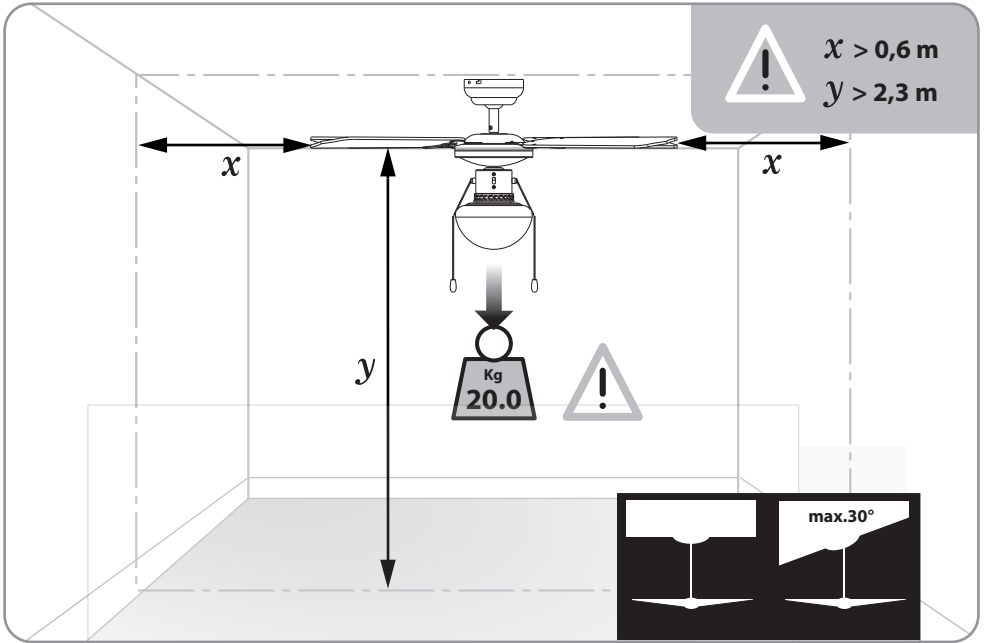
+

-

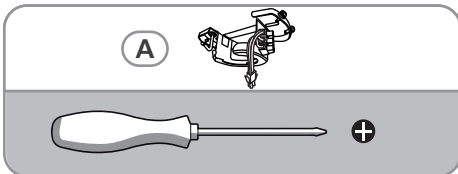
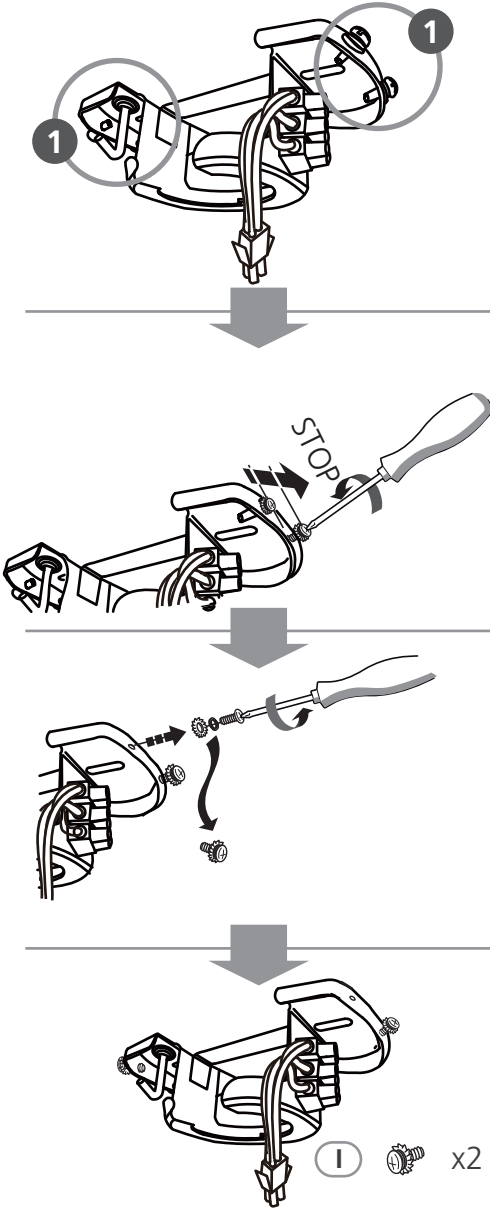


E 27

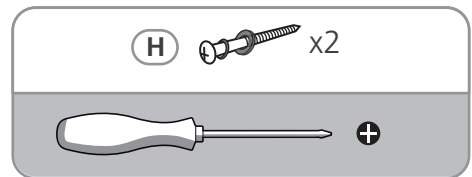
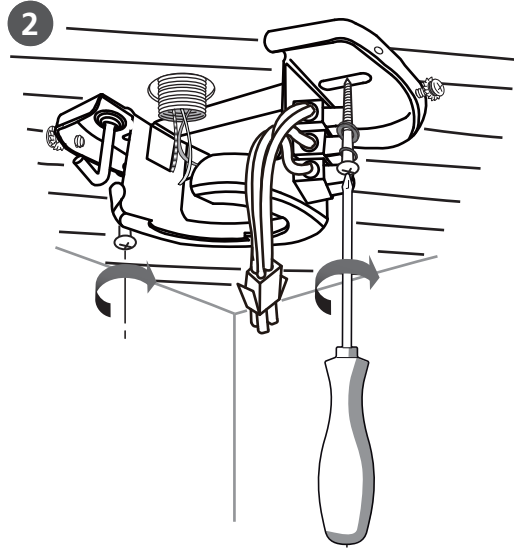




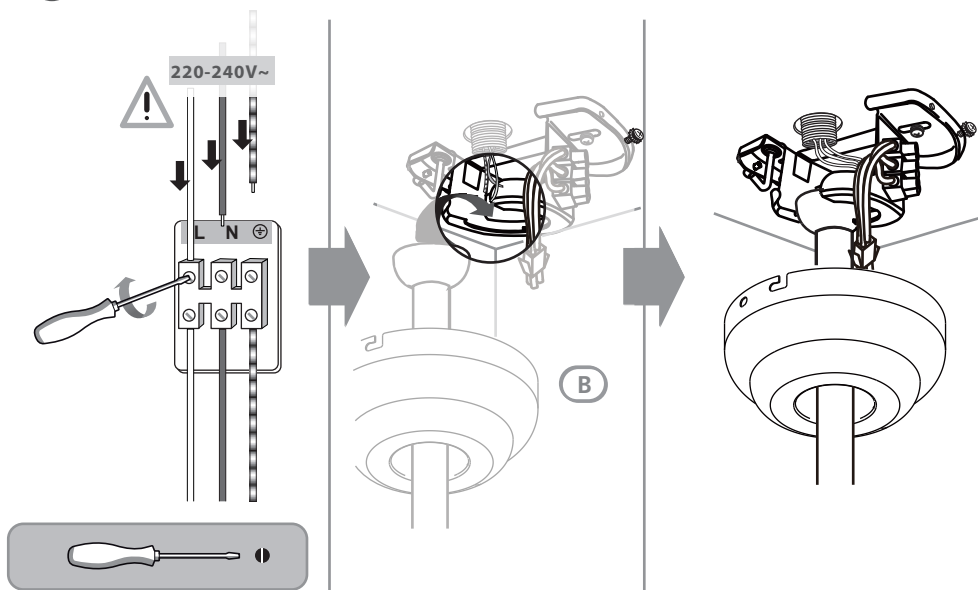
1



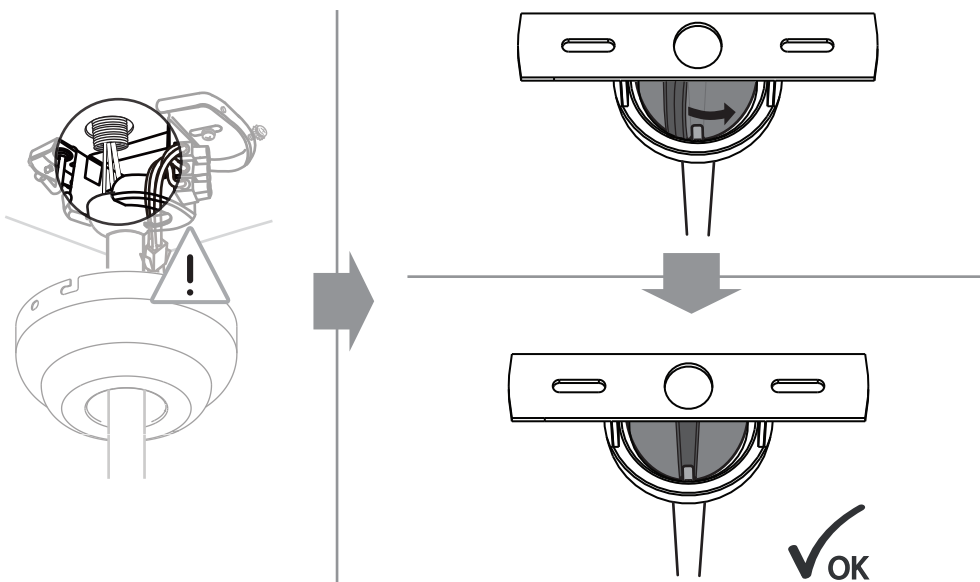
2



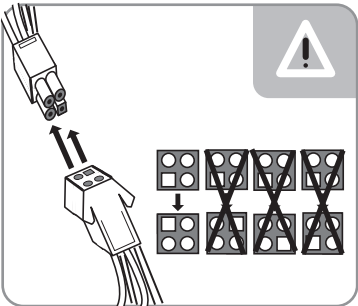
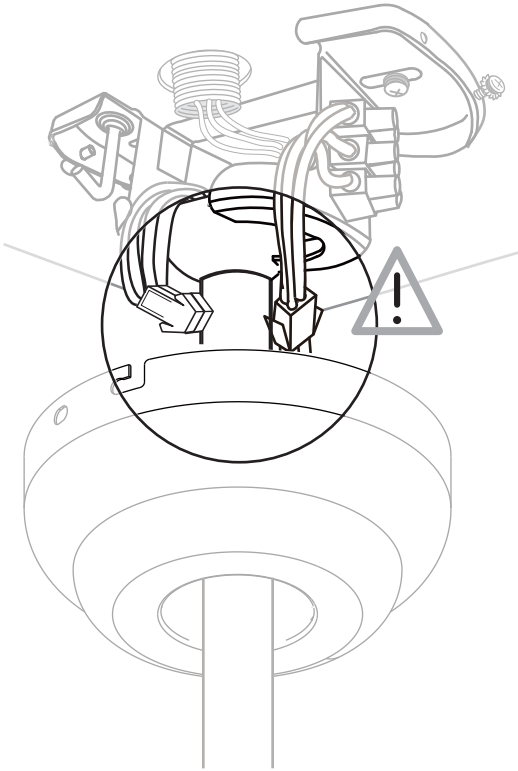
3



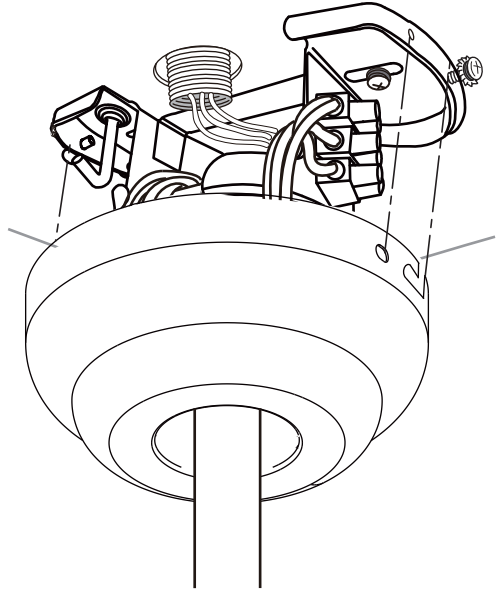
4



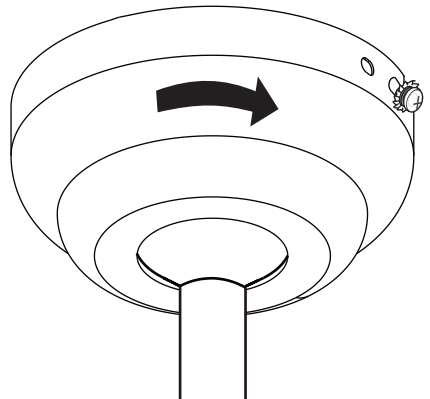
5

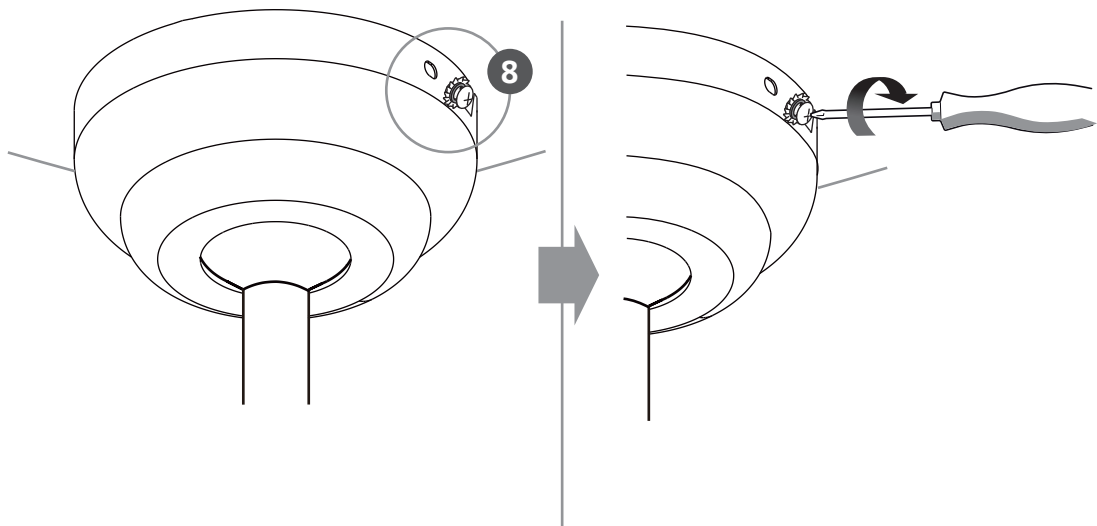


6

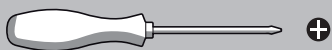
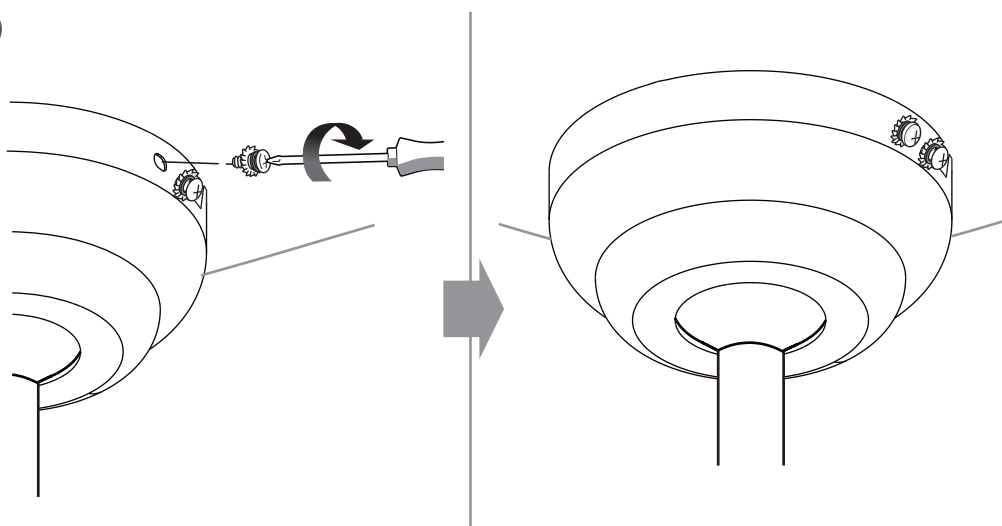


7

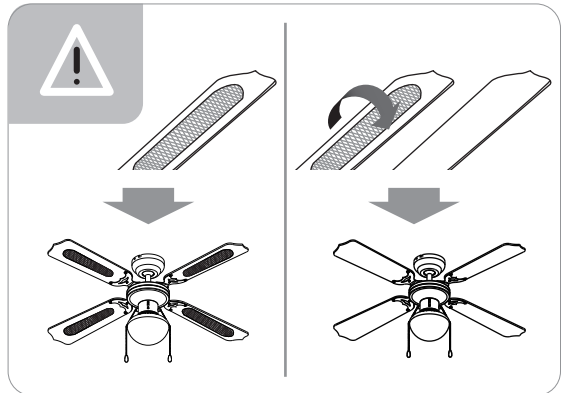
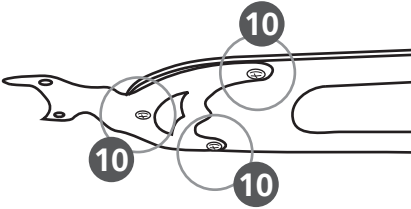
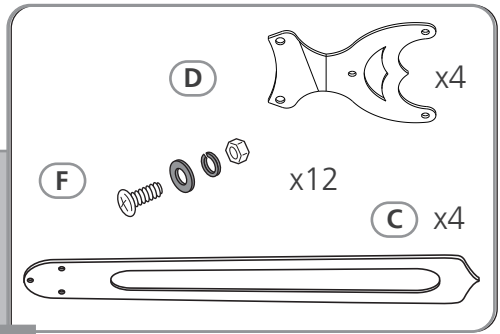
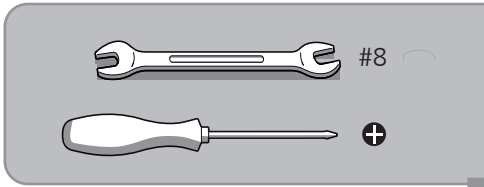
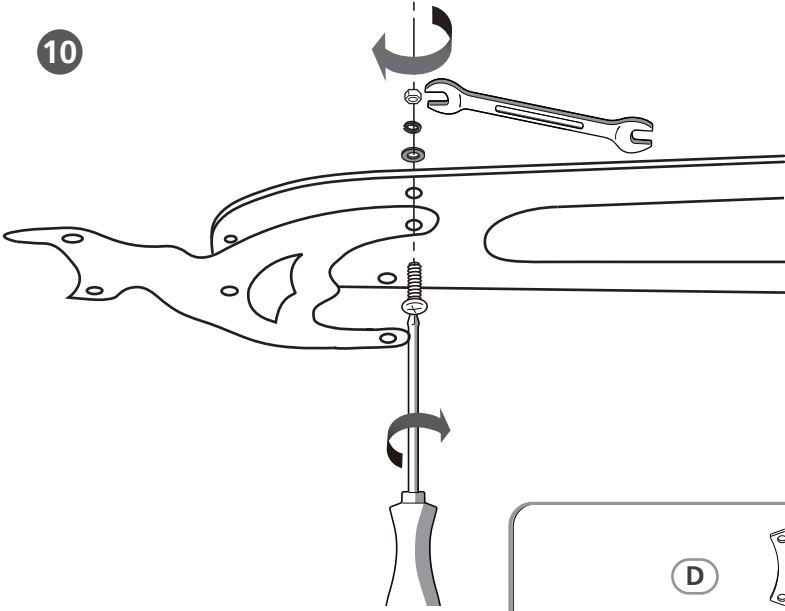




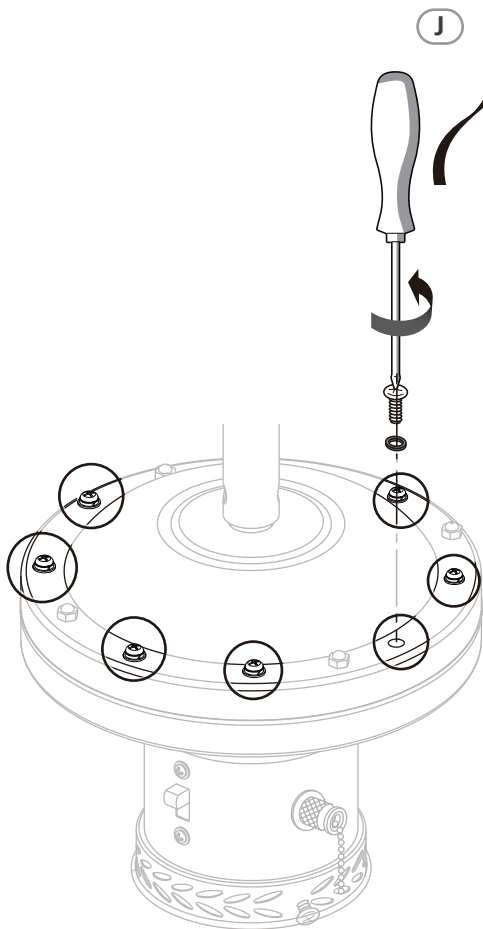
9



10

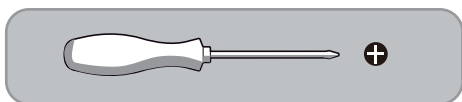
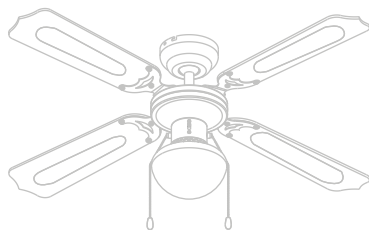
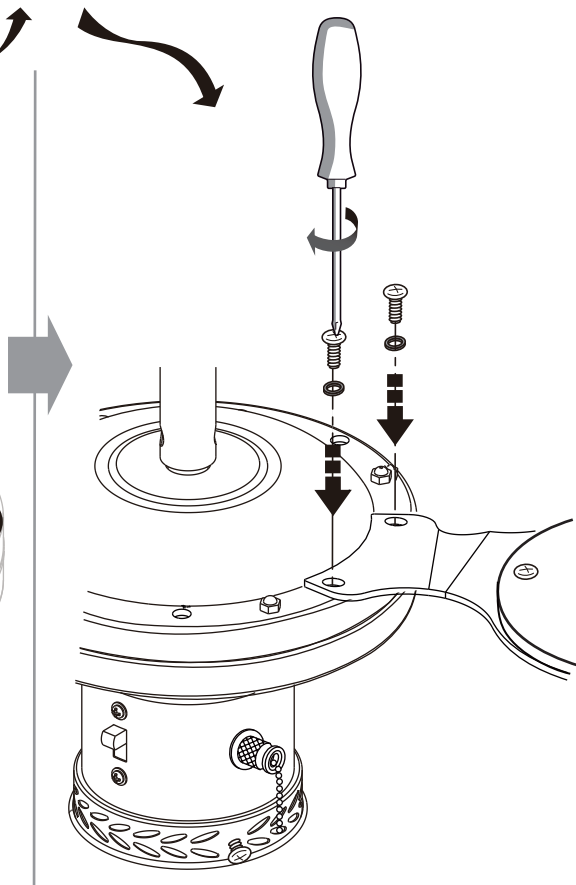


11

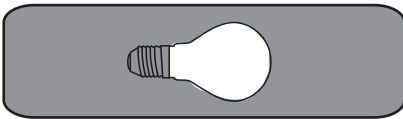
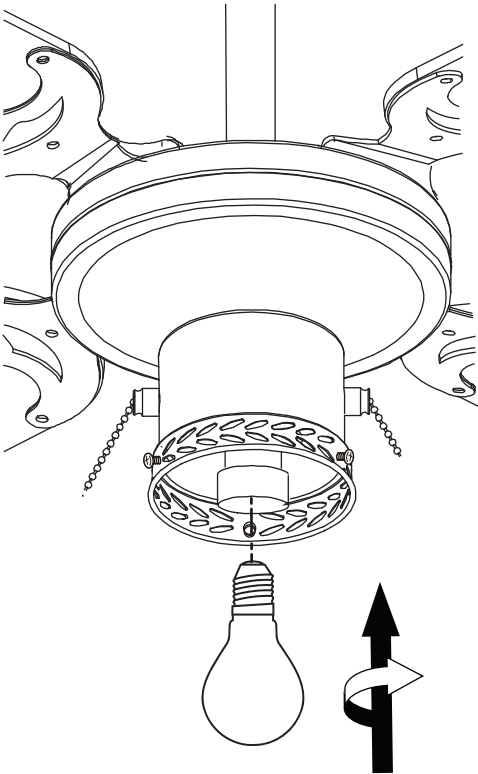


12

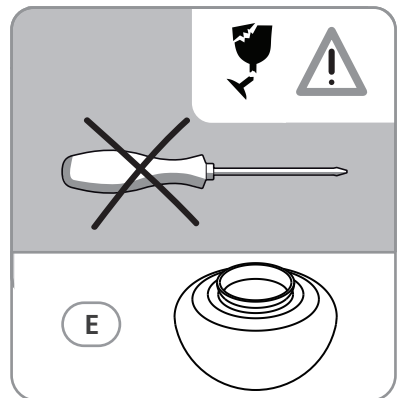
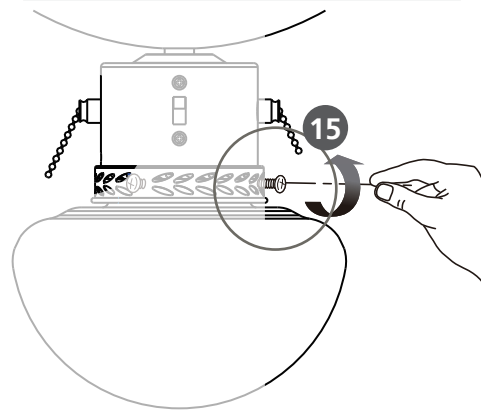
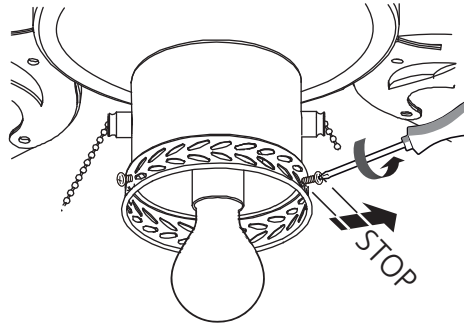
J x6



13



14



16

